

### Power Inserter / Gleichstromweiche GW9000 031

1. Productrange:
  - 1x power inserter (siehe Anhang)
  - 1x power supply (NG508)
  - 1x KVS8322 201
  - 1x Blister (TIEFZ0002)
  - 1x Blistercard
2. Housing
  - 2.1. sheet metal

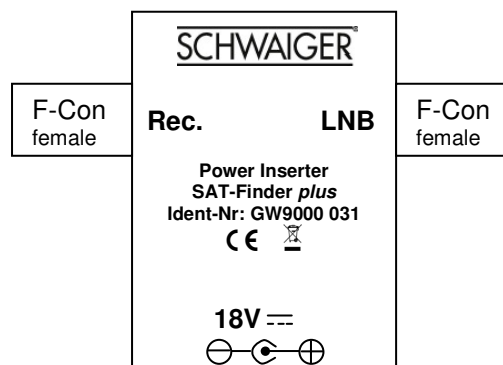


3. electrical

#### power inserter Specifications

Item	Frequency	Typical Value	QC Standard
<b>Insertion Loss</b>	5-2400MHz	1dB	≤1.2dB
<b>Return Loss</b>	5-2400MHz	10dB	≥8dB
<b>Connector(input/output)</b>	F-(female)		
<b>DC Jack</b>	Dia. 2,1x5,5		
<b>power adapter specification</b>			
<b>Input</b>	100VAC-240VAC/50Hz/60Hz/450mA		
<b>Output</b>	18VDC/700mA		
<b>Mains Plug</b>	VDE plug		
<b>DC Plug</b>	Dia. 2,1x5,5		

4. printing or label  
(~~EAN code on printed carton~~)



5. Seriennummer Label must be on product and on the individual packaging  
 Label size: max. 12x60mm

Code 128

*Beispiel:*

1	2	3	4	5	6	7	8	9	10	11	12	13	14	15	16	17	18	19	20	21	22	23	24	25	26
S	F	9	0	0	0		0	1	1				?	?	?	B	0	7	?	?	?	?	?	?	?

- Felder 1-13 Schwaiger Artikelnummer / Schwaiger item number  
 Felder 14+16 Softwarestand oder Revision / Software level, revision level  
 Feld 17 Kennzeichnung EU-Richtlinie RoHS  
 compliant to EU-Guideline RoHS  
 „B“ entspricht der RoHS / „B“ product is compliant to RoHS  
 Felder 18 + 19 Jahr / production Year  
 Felder 20+ 21 Kalenderwoche / calendar Week  
 Felder 22 – 26 Anzahl der Geräte / Number of devices